

Superior LEAD CARBON AGM

SLCA-12115 DT (LDC12-105-G27)

Features & Benefits

- Deep Cycle special formula Positive Paste
- Lead carbon Negative for PSOC resistance
- Double Glass fibre separation for reduction in Acid Stratification
- Fast charge – 90% in 3 hours
- 1,000 cycles at 60%
- 10 year design life



Electrical Specifications

Voltage(V)	Capacity (AH)					Reserve Capacity (Min)		
	100HR	20HR	10HR	5HR	3HR	@25A	@56A	@75A
12	115	108	104	96	90	220	80	55

Physical Specifications

Model	Dimensions (mm/inches)				Weight (kg/lbs)	Terminal Type (Standard)	Case Material
	Length	Width	Height	Total Height			
LDC12-105-G24-DT	306(12.05)	168 (6.61)	208 (8.19)	233 (9.17)	27.9 (61.5)	DT-5/16	ABS

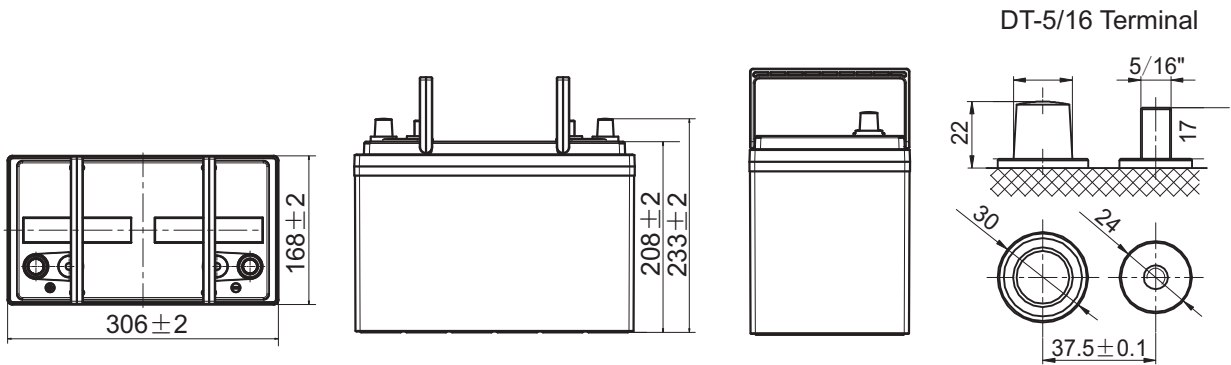
Operating Temperature Range		
Discharge	Charge	Storage
-15°C~50°C(5°F~122°F)	0°C~40°C(32°F~104°F)	-15°C~40°C(5°F~104°F)

Applications

- ✓ Solar & Renewables
- ✓ Aerial Work Platform
- ✓ Golf Carts (Dual Seater) & Municipal Vehicles
- ✓ Marine
- ✓ Motorhome & Caravan
- ✓ Cleaning & Maintenance
- ✓ Materials Handling
- ✓ Vehicle Conversion

SLCA-12115 DT (LDC12-105-G27)

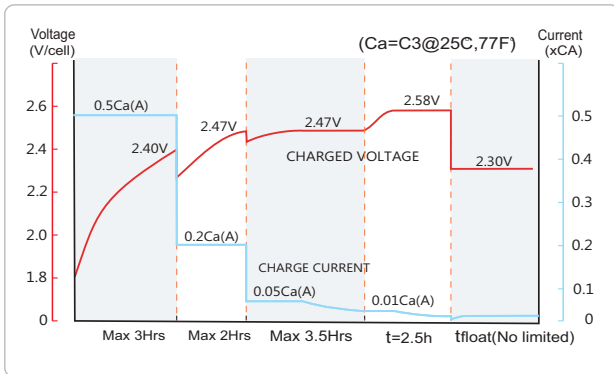
Dimensions



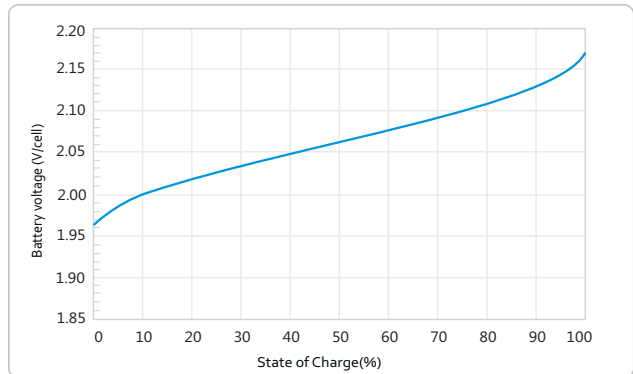
Note: D:Positive $19.5_{-0.3}^0$, D:Negative $17.9_{-0.3}^0$; Terminal Torque Values in -lb(Nm) : 176-203(20-23)

Performance Characteristics

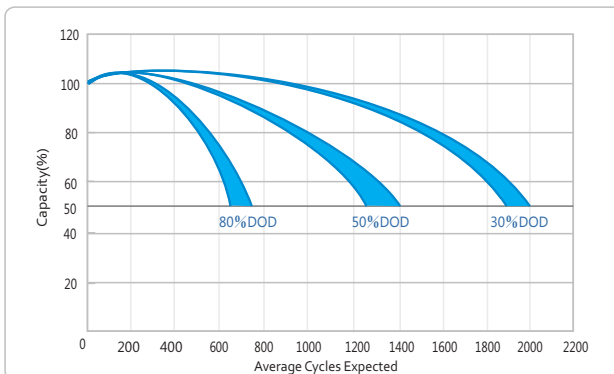
LEOCH LDC AGM Charging Profile



Relationship of OCV and State Of Charge (25°C, 77°F)



Cycle life in relation to Depth Of Discharge



Self-discharge Characteristic

